

Assembly & Operations Manual OHGR: Over Head Gun Rack



Assembly information:

- This product has an installation rating of: **Easy**
- Approximate Assembly time: **10 Minutes**

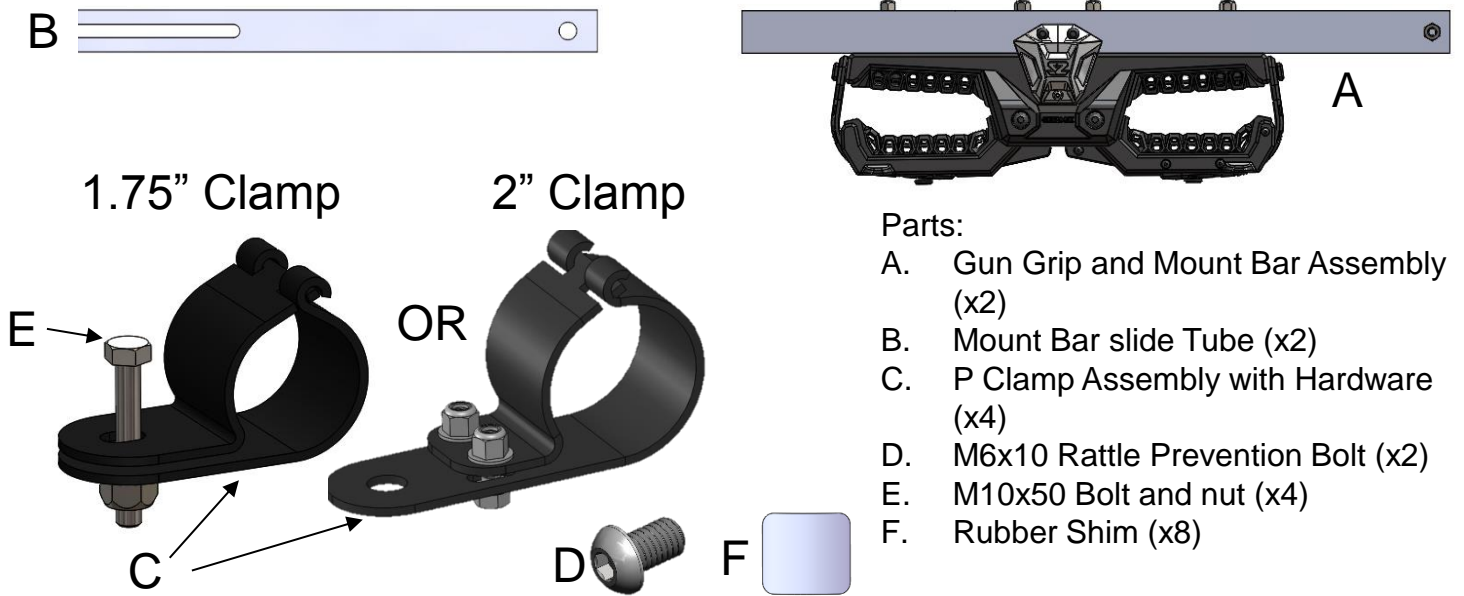
Seizmik makes Windshields, Doors, Tops, Hood Racks, Brush Guards, and other great accessories for utility vehicles & side x sides. Our products are engineered tough for long life and tested under the harshest of conditions.

Always observe the warnings and precautions in this manual when using your Seizmik products. For best results, carefully follow the instructions in this manual and make no modifications.

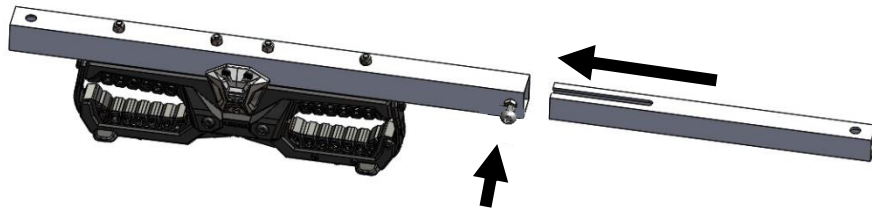
Seizmik products are designed, developed and manufactured by Vialink Corp. If you have any questions, comments, need assistance, or are missing parts, please call 1-866-838-3366 between 9:00AM and 5:00PM EST. You can email us at support@seizmik.com

*Always transport guns UNLOADED and pointed in a safe direction. Seizmik is not responsible for injury to persons or damage to the weapon due to improper handling.

Parts List



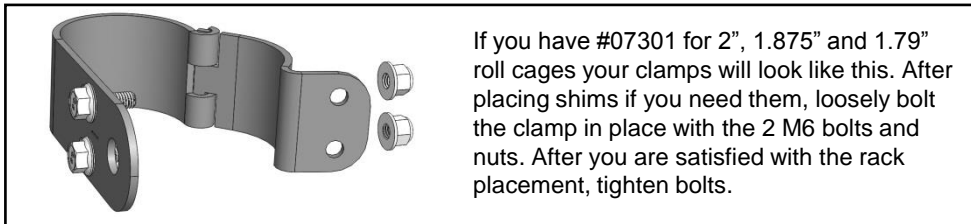
Installation



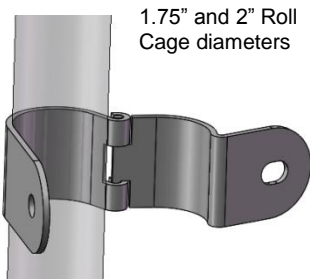
1. Start by inserting the slide tube into the larger tube loosely. Once the tube is inserted, loosely thread the rattle prevention screw into the welded nut on the end of the larger tube.

Rubber Shim Guide

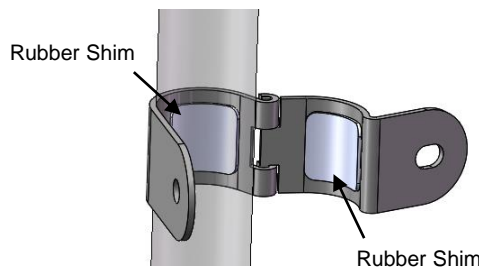
Use 2 Rubber Shims for 1.5", 1.79" Diameter Roll Cage Only



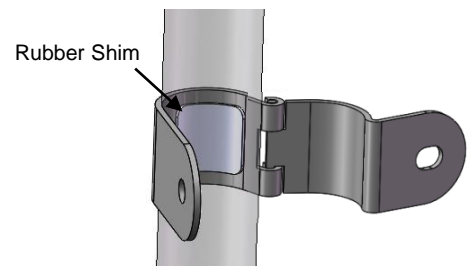
1 Rubber Shim for 1.625", 1.875" Diameter Roll Cage Only



Open clamp and place around roll cage tube. Do not use rubber shims for 1.75" and 2" Roll Cage diameters.



Use a shim on each half to adapt the 1.75" roll cage clamp down to 1.5" and do the same to adapt the 2" clamp down to 1.79" (Honda Pioneer)



Use 1 shim on the inner half to adapt the 1.75" roll cage clamp down to 1.625" and do the same to adapt the 2" clamp down to 1.875"



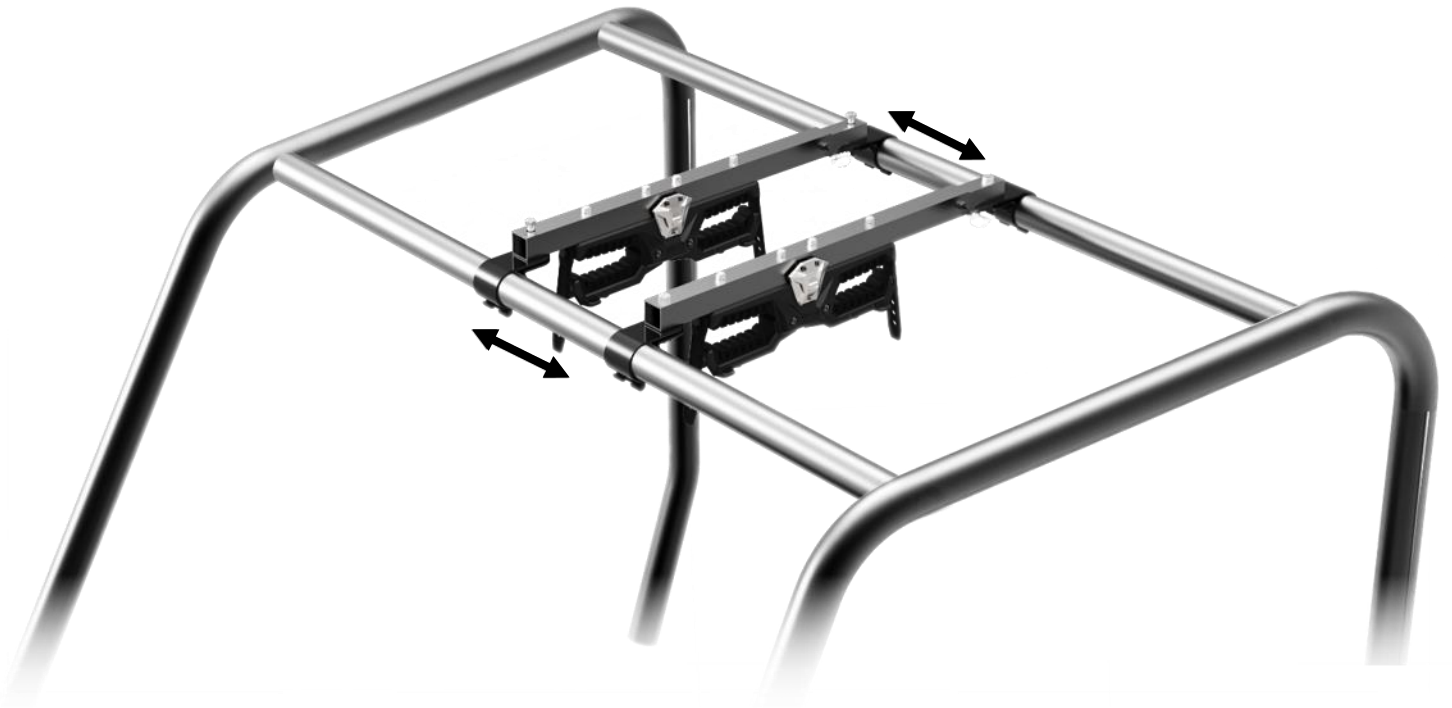
2. Place a metal P clamp around the forward upper roll cage tube.



3. Take the gun grip assembly with slider tube inserted (tighten rattle prevention bolt so the slider tube doesn't fall out) and mount to the p clamp using the supplied M10x50 bolt and nut. Keep loose at this time.



4. Place another metal p clamp around the rear overhead roll cage bar and fasten the slider tube to the p clamp using the supplied M10x50 bolt and nut. Keep loose at this time



5. Mount the second gun grip assembly just like the first. Adjust the width between the two gun grip assemblies to best fit your guns. After the desired width is found, tighten the M10x50 bolt and nut to lock the gun grips assemblies in the desired location.



6. Open the jaws by releasing the rubber retention straps. Slide your gun into the jaws.



7. Re-Fasten the rubber retention straps, choose whichever hole provides the desired compression and make sure gun is secure before operating the vehicle.

8. The overhead gun rack mount can be configured in many different ways to work with many different roll cage tube spacings. Seen below are a couple examples of how it can be configured to best fit your vehicle based on your specific requirements. You can also use any combination of these configurations based on your specific needs and space requirements.

